

Improve your Smart experience



SIBONI
MOTORS AND SOLUTIONS



Improve your Smart experience

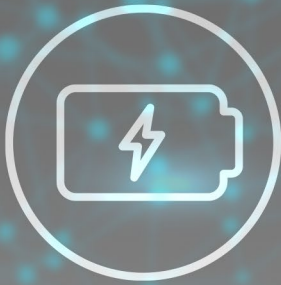


MOTION WIRELESS TECHNOLOGY

MWT has been developed in collaboration with CoreTigo to allow our innovative PL4 products to be controlled using wireless technology giving rise to creative solutions and increasing the efficiency of the IoT ecosystem.

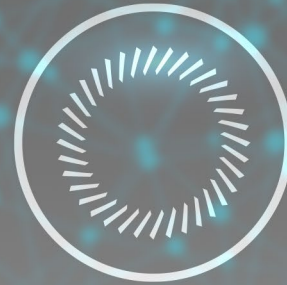
NON-FUNGIBLE TOKEN

The addition of NFT technology to Siboni's products renders them unique and enables the owner to trace a product's complete lifecycle, preparing the ground for the introduction of a host of new services.



PRO LOW VOLTAGE

Siboni's Pro-Line servomotors are now available in low voltages for use in battery powered applications, guaranteeing very high performance efficiency.



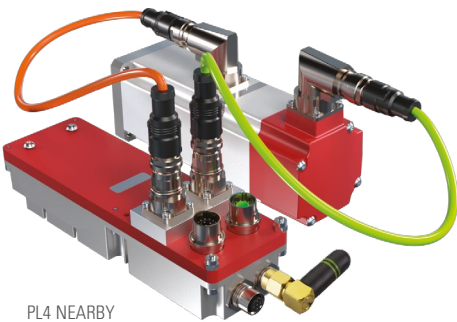
PRECISION HELICAL GEARBOXES - NXH

The addition of helical toothed planetary gearboxes allows Siboni to meet the growing demands of the industrial automation sector.



PL4 40-60

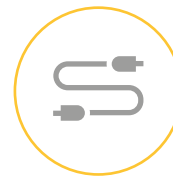
IO-Link Wireless



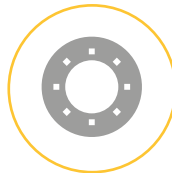
PL4 NEARBY



DETERMINISTIC
AND REAL TIME
COMMUNICATION



MINIMIZE CABLING
REQUIREMENTS AND
COSTS



DESIGNED FOR
ROTARY TABLE
APPLICATIONS



FOR ROBOTS/
COBOTS, SMART
TRACKS AND AGV/LGV
APPLICATIONS

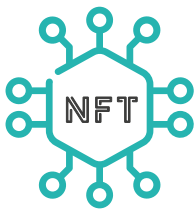
LEARN MORE
SCAN ME





PL4 40-60

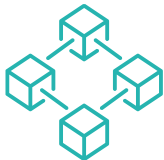
The first motor "NFT READY"



DIGITAL OWNERSHIP
OF THE PRODUCT



CERTIFIED
PRODUCTION
PROCESS



BLOCKCHAIN
TECHNOLOGY



PRODUCT
LIFECYCLE TRACKING



PRODUCT UNICITY FOR
ANTI-COUNTERFEITING

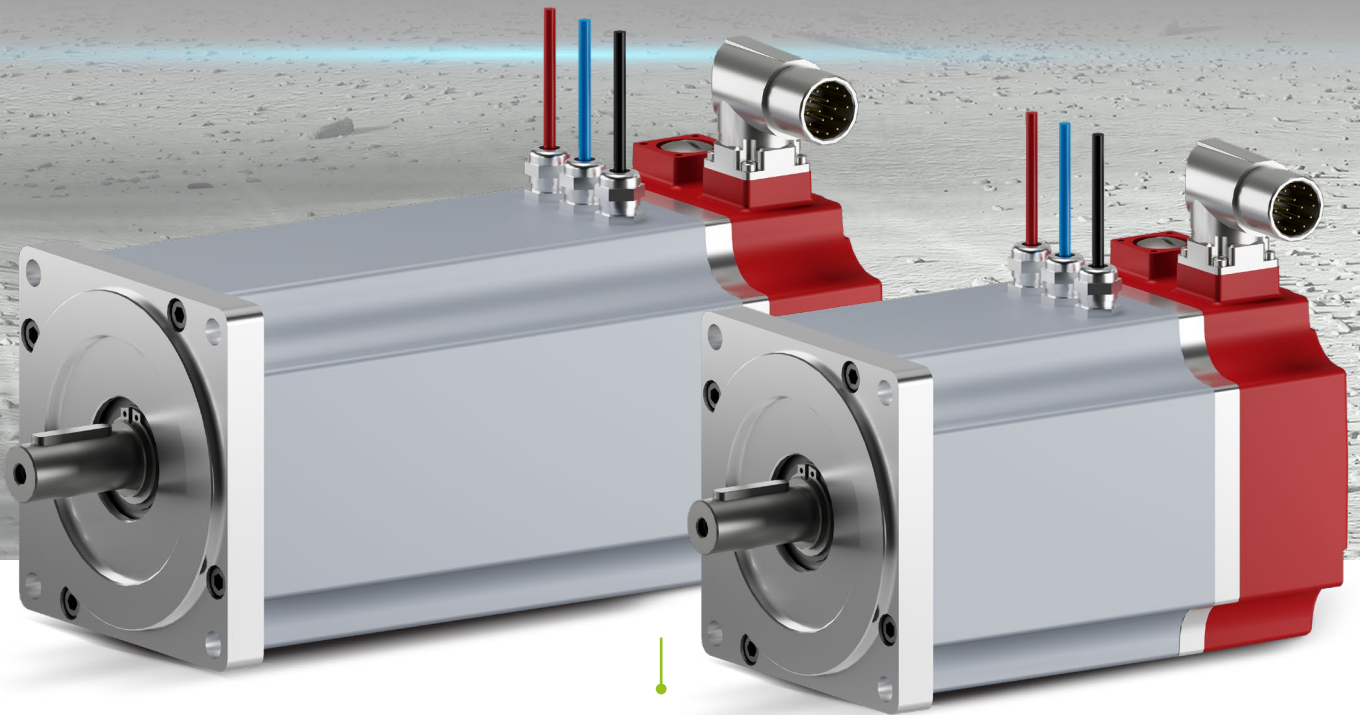
LEARN MORE
SCAN ME





PRO LINE

Low Voltage



**DESIGNED FOR
BATTERY POWERED
APPLICATIONS**



AGRICULTURE



NAVAL



E-TRACTION



LOGISTICS

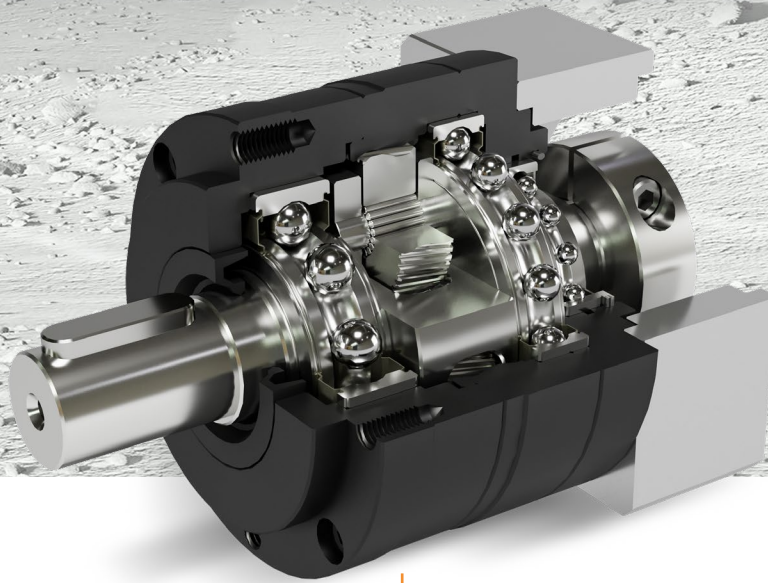
LEARN MORE
SCAN ME





NXH

Precision Helical Gearboxes



BETTER
PERFORMANCE AND
EFFICIENCY



LOWER NOISE



HIGHER
ACCURACY AND
REDUCED BACKLASH



HIGHER
TORSIONAL RIGIDITY

LEARN MORE
SCAN ME





www.siboni.it